

**04" - 62" SPLIT FRAME - SPEC SHEET (inches)**

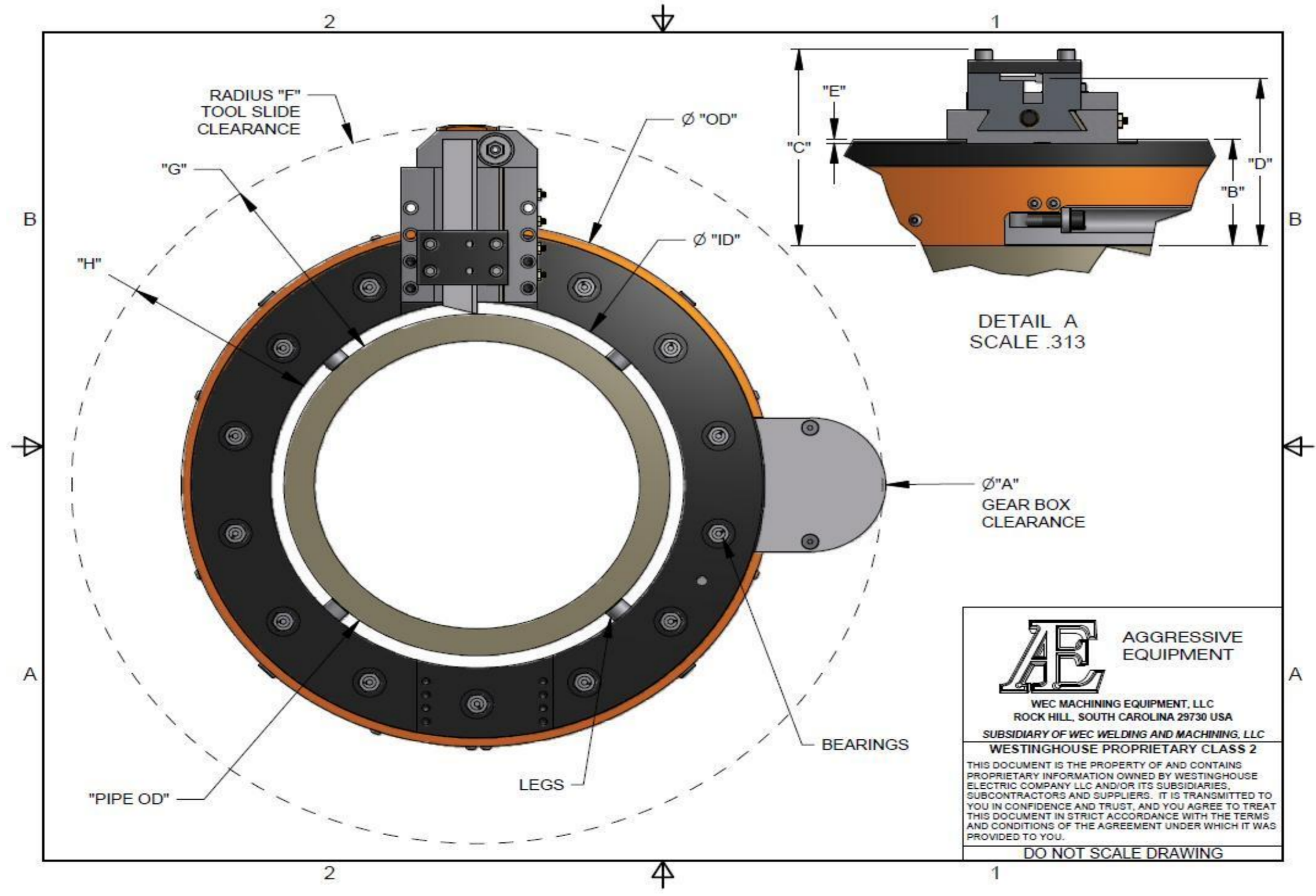
	SF4	SF6	SF8	SF10	SF12	SF14	SF16	SF18	SF20	SF22	SF24	SF26	SF28	SF30	SF32	SF34	SF36	SF38	SF40	SF42	SF44	SF46	SF48	SF50	SF52	SF54	SF56	SF58	SF60	SF62	ID
<b>ID</b>	4.75"	7.67"	9.67"	11.67"	13.67"	15.00"	17.00"	19.00"	21.00"	23.00"	25.00"	27.00"	29.00"	31.00"	33.00"	35.00"	37.00"	39.00"	41.00"	43.00"	45.00"	47.00"	49.00"	51.00"	53.00"	55.00"	57.00"	59.00"	61.00"	63.00"	<b>ID</b>
<b>OD</b>	9.37"	13.54"	15.54"	17.54"	19.54"	20.87"	22.87"	24.87"	26.87"	28.87"	30.87"	32.98"	34.98"	36.98"	38.98"	40.98"	42.98"	44.98"	46.98"	48.98"	50.98"	52.98"	54.98"	56.98"	58.98"	60.98"	62.98"	64.98"	66.98"	68.98"	<b>OD</b>
<b># of LEGS</b>	4	4	4	4	4	4	4	4	4	4	8	8	8	8	8	8	8	8	8	8	8	8	8	8	8	8	8	8	8	<b># of LEGS</b>	
<b># of BEARINGS</b>	6	10	10	10	14	14	18	18	20	20	20	24	28	28	32	32	36	36	40	40	44	44	48	48	52	52	56	56	60	<b># of BEARINGS</b>	
<b>*A</b>	16.89"	21.00"	23.00"	25.00"	27.00"	28.33"	30.33"	32.33"	34.33"	36.33"	38.33"	41.10"	43.10"	45.10"	47.10"	49.10"	51.10"	53.10"	55.10"	57.10"	59.10"	61.10"	63.10"	65.10"	67.10"	69.10"	71.10"	73.10"	75.10"	77.10"	<b>*A</b>
<b>B</b>	3.18"	3.18"	3.18"	3.18"	3.18"	3.18"	3.18"	3.18"	3.18"	3.18"	3.18"	3.30"	3.30"	3.30"	3.30"	3.30"	3.30"	3.30"	3.30"	3.30"	3.30"	3.30"	3.30"	3.30"	3.30"	3.30"	3.30"	3.30"	3.30"	<b>B</b>	
<b>C</b>	5.97"	5.84"	5.84"	5.84"	5.84"	5.84"	5.84"	5.84"	5.84"	5.84"	5.84"	5.84"	5.84"	5.84"	5.84"	5.84"	5.84"	5.84"	5.84"	5.84"	5.84"	5.84"	5.84"	5.84"	5.84"	5.84"	5.84"	5.84"	5.84"	<b>C</b>	
<b>D</b>	5.113"	4.984"	4.984"	4.984"	4.984"	4.984"	4.984"	4.984"	4.984"	4.984"	4.984"	4.984"	4.984"	4.984"	4.984"	4.984"	4.984"	4.984"	4.984"	4.984"	4.984"	4.984"	4.984"	4.984"	4.984"	4.984"	4.984"	4.984"	4.984"	<b>D</b>	
<b>E</b>	0	.125"	.125"	.125"	.125"	.125"	.125"	.125"	.125"	.125"	.125"	.25"	.25"	.25"	.25"	.25"	.25"	.25"	.25"	.25"	.25"	.25"	.25"	.25"	.25"	.25"	.25"	.25"	.25"	<b>E</b>	
<b>**WEIGHT (APPROX)</b>	38 lbs <i>not lightened</i>	58 lbs	69 lbs	82 lbs	89 lbs	99 lbs	110 lbs	121 lbs	129 lbs	145 lbs	147 lbs	167 lbs	179 lbs	238 lbs	244 lbs								370 lbs	390 lbs					453 lbs	<b>**WEIGHT (APPROX)</b>	

\* Dimension A is referencing the clearance for the Gearbox; Reference spec sheet AE-SPEC-1006 for tool slide clearance dimensions.

\*\* Weights are based on 4" - 28" with lightened pockets; 30" and above are not lightened. Listed weight does not include any accessories; this is machine only weight.

**Tool Slide Clearances:**

PIPE OD	4.5	6.625	8.625	10.75	12.75	14	16	18	20	22	24	26	28	30	32	34	36	38	40	42	44	46	48	50	52	54	56	58	60	62	OD of Pipe		
<b>F</b>	0"	5.25	7.19	8.19	9.19	10.19	10.88	11.88	12.88	13.88	14.88	15.88	16.88	17.88	18.88	19.88	20.88	21.88	22.88	23.88	24.88	25.88	26.88	27.88	28.88	29.88	30.88	31.88	32.88	33.88	34.88	0"	<b>F</b>
	3"	6.50	8.50	9.50	10.50	11.50	12.13	13.13	14.13	15.13	16.13	17.13	18.13	19.13	20.13	21.13	22.13	23.13	24.13	25.13	26.13	27.13	28.13	29.13	30.13	31.13	32.13	33.13	34.13	35.13	36.13	3"	
	4"	7.50	9.50	10.50	11.50	12.50	13.13	14.13	15.13	16.13	17.13	18.13	19.13	20.13	21.13	22.13	23.13	24.13	25.13	26.13	27.13	28.13	29.13	30.13	31.13	32.13	33.13	34.13	35.13	36.13	37.13	4"	
	5"	-	-	-	13.50	14.13	15.13	16.13	17.13	18.13	19.13	20.13	21.13	22.13	23.13	24.13	25.13	26.13	27.13	28.13	29.13	30.13	31.13	32.13	33.13	34.13	35.13	36.13	37.13	38.13	5"		
<b>G</b>	0"	3.00	3.88	3.88	3.88	3.88	3.88	3.88	3.88	3.88	3.88	3.88	3.88	3.88	3.88	3.88	3.88	3.88	3.88	3.88	3.88	3.88	3.88	3.88	3.88	3.88	3.88	3.88	3.88	3.88	0"	<b>G</b>	
	3"	4.13	5.13	5.13	5.13	5.13	5.13	5.13	5.13	5.13	5.13	5.13	5.13	5.13	5.13	5.13	5.13	5.13	5.13	5.13	5.13	5.13	5.13	5.13	5.13	5.13	5.13	5.13	5.13	5.13	3"		
	4"	5.13	6.13	6.13	6.13	6.13	6.13	6.13	6.13	6.13	6.13	6.13	6.13	6.13	6.13	6.13	6.13	6.13	6.13	6.13	6.13	6.13	6.13	6.13	6.13	6.13	6.13	6.13	6.13	6.13	4"		
	5"	-	-	-	7.13	7.13	7.13	7.13	7.13	7.13	7.13	7.13	7.13	7.13	7.13	7.13	7.13	7.13	7.13	7.13	7.13	7.13	7.13	7.13	7.13	7.13	7.13	7.13	7.13	7.13	5"		
<b>H</b>	0"	2.88	3.38	3.38	3.38	3.38	3.38	3.38	3.38	3.38	3.38	3.38	3.38	3.38	3.38	3.38	3.38	3.38	3.38	3.38	3.38	3.38	3.38	3.38	3.38	3.38	3.38	3.38	3.38	3.38	0"	<b>H</b>	
	3"	4.25	4.63	4.63	4.63	4.63	4.63	4.63	4.63	4.63	4.63	4.63	4.63	4.63	4.63	4.63	4.63	4.63	4.63	4.63	4.63	4.63	4.63	4.63	4.63	4.63	4.63	4.63	4.63	4.63	3"		
	4"	5.25	5.63	5.63	5.63	5.63	5.63	5.63	5.63	5.63	5.63	5.63	5.63	5.63	5.63	5.63	5.63	5.63	5.63	5.63	5.63	5.63	5.63	5.63	5.63	5.63	5.63	5.63	5.63	5.63	4"		
	5"	-	-	-	6.63	6.63	6.63	6.63	6.63	6.63	6.63	6.63	6.63	6.63	6.63	6.63	6.63	6.63	6.63	6.63	6.63	6.63	6.63	6.63	6.63	6.63	6.63	6.63	6.63	6.63	5"		



**AGGRESSIVE EQUIPMENT**  
 WEC MACHINING EQUIPMENT, LLC  
 ROCK HILL, SOUTH CAROLINA 29730 USA  
 SUBSIDIARY OF WEC WELDING AND MACHINING, LLC  
 WESTINGHOUSE PROPRIETARY CLASS 2  
 THIS DOCUMENT IS THE PROPERTY OF AND CONTAINS PROPRIETARY INFORMATION OWNED BY WESTINGHOUSE ELECTRIC COMPANY LLC AND/OR ITS SUBSIDIARIES, SUBCONTRACTORS AND SUPPLIERS. IT IS TRANSMITTED TO YOU IN CONFIDENCE AND TRUST, AND YOU AGREE TO TREAT THIS DOCUMENT IN STRICT ACCORDANCE WITH THE TERMS AND CONDITIONS OF THE AGREEMENT UNDER WHICH IT WAS PROVIDED TO YOU.  
 DO NOT SCALE DRAWING