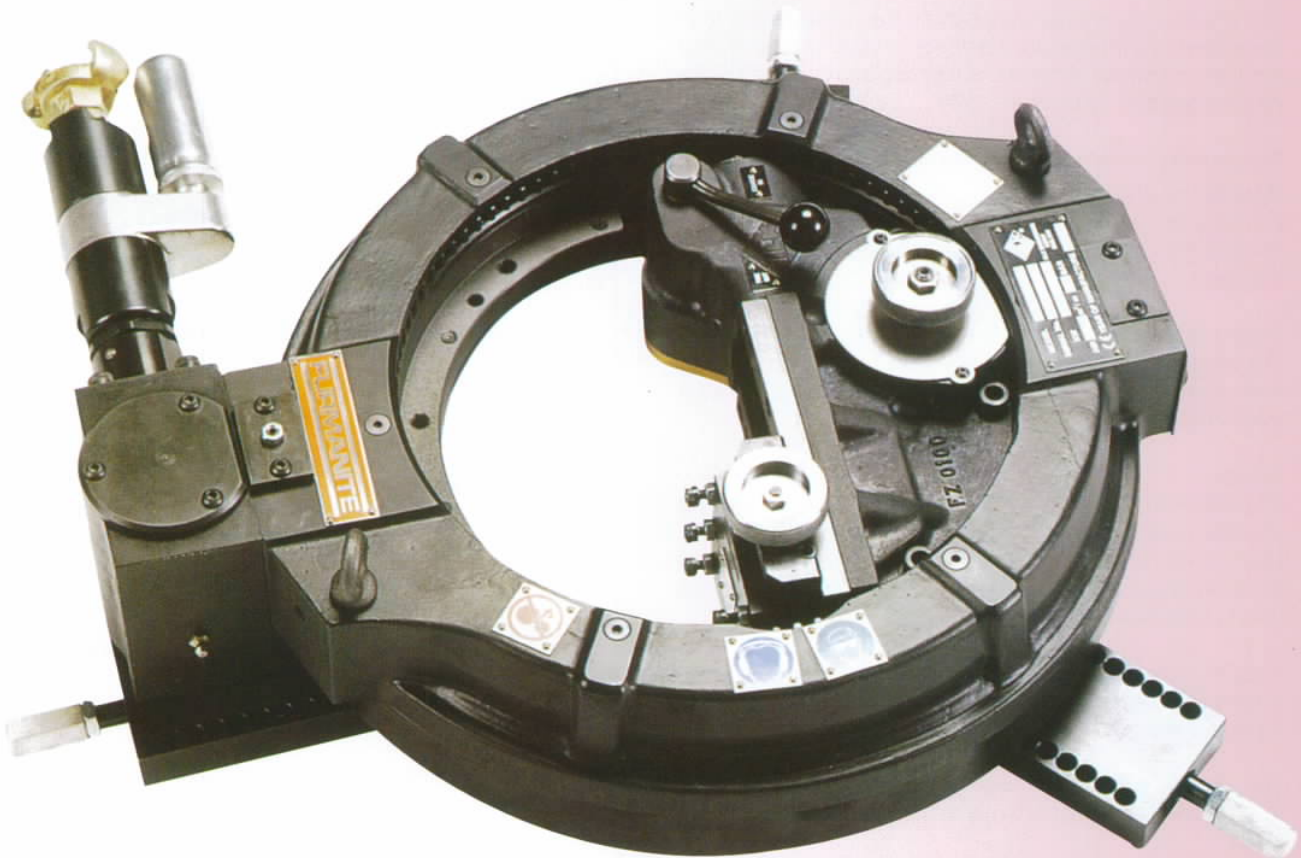




## AXL 012 Flange Facer

A lightweight, portable, flange facing, grooving and weld preparation machine designed to machine full faced, raised face and grooved flanges from 0mm-305mm (0"-12")



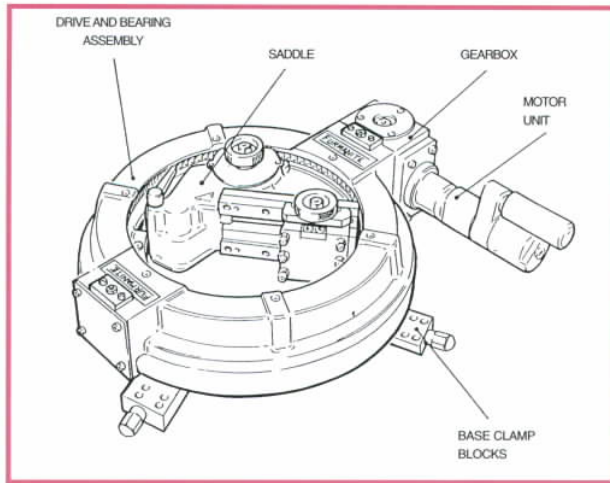
**Typical Applications**  
**...With Accessories**  
'V' Groove Machining  
and Measuring  
Deep Hole Boring



®



## AXL 012 Flange Facer



The Silk AXL 012 is constructed, as the rest of the range, from the highest quality materials. It is designed to give machine shop accuracy, combined with ease of handling and portability in the flange range of 0 - 305mm (0" - 12").

The machine consists of three main assemblies:

### Base Ring Assembly

Four separate adjustable clamp blocks are provided which may be positioned on the base ring to suit the size of flange being machined.

### Drive and Bearing

The machine is driven by a 0.66kw (0.85hp) pneumatic motor, which is mounted directly to the drive bearing assembly, and is quickly detachable.

### Saddle

The saddle is mounted on the drive and bearing assembly and provides a rigid structure to which the toolpost is fixed. Drive input to the saddle is derived from the drive and bearing assembly, internal gear arrangement and saddle gear pick-up gear in a planetary motion.

Toolpost traverse in and out is provided by a lead screw which is driven by the saddle gear train. Direction is selected by the traverse selector.

The machine can achieve cuts to a maximum depth of 2mm (0.079") without flanged holes and 1mm (0.039") with flanged holes.

Alternative toolposts can be fitted to the saddle depending on the machine application.

### Quality

All Furmanite Silk Engineering activities are conducted in strict conformance to the ISO9001 quality system.

### Silk Design Department

All Silk machines are used by our on-site service technicians and over the years, we have modified and designed attachments to enable the Silk range of machine tools to undertake many specialist applications. Can we help you? Comprehensive CAD facilities operated by qualified design engineers and experienced project engineers are able to meet your exact requirements.

## Features

- Compact, lightweight
- Externally Mounted
- Operates in any Position
- Cuts 'O' Ring Grooves, vertical grooves, 'V' grooves, lens ring seats, hub profiles and weld preparations
- Achieves finishes from 1.6µm Ra to 6.3µm (63 CLA to 250 CLA) 'gramophone' finish when turning and 0.8µm Ra to 1.6µm (32 CLA to 63 CLA) when polishing
- Pneumatic drive permits use in hazardous areas
- Fitted transportable case

## Specifications

### Principal Dimensions

Height	130mm (5 1/8")
Rotational diameter	305mm (12")
Maximum swing	305mm (12")
Minimum swing	0mm (0")
Toolpost travel	38mm (1 5/8")
Overall diameter	610mm (24")

### Weights

Nett weight (less wooden case)	50kg (110lbs)
Total shipping weight	85kg (187lbs)

### Wooden Case Dimensions

Length	800mm (32")
Height	430mm (17")
Width	720mm (28")

### General Information

Gripping range	minimum size 102mm (4") maximum size 305mm (12")
Flange range	minimum size 0mm (0") maximum size 305mm (12")
Drive motor	0.66kw (0.85hp)
Minimum air supply requirements	5 bar 2.26m <sup>3</sup> /min (80psi 80cfm)
Drive motor output speed	1600 rpm
Final rotational speed	33

### Table of Surfacing Feeds

Gearbox	Feed (mm)	Feed (inches)
In	0.81	0.032
Out	0.20	0.008
Hand held	0.05	0.002

Exclusively distributed in North America by:



WEC Equipment & Machining Solutions  
2077 Burkett Rd  
Rock Hill, SC 29730  
Tel: 800.902.3277  
Fax: 803.329.7755  
Web: [www.aggressive-equipment.com](http://www.aggressive-equipment.com)